



McElroy Manufacturing, Inc.
The leader by design.
Tulsa, Oklahoma U.S.A.

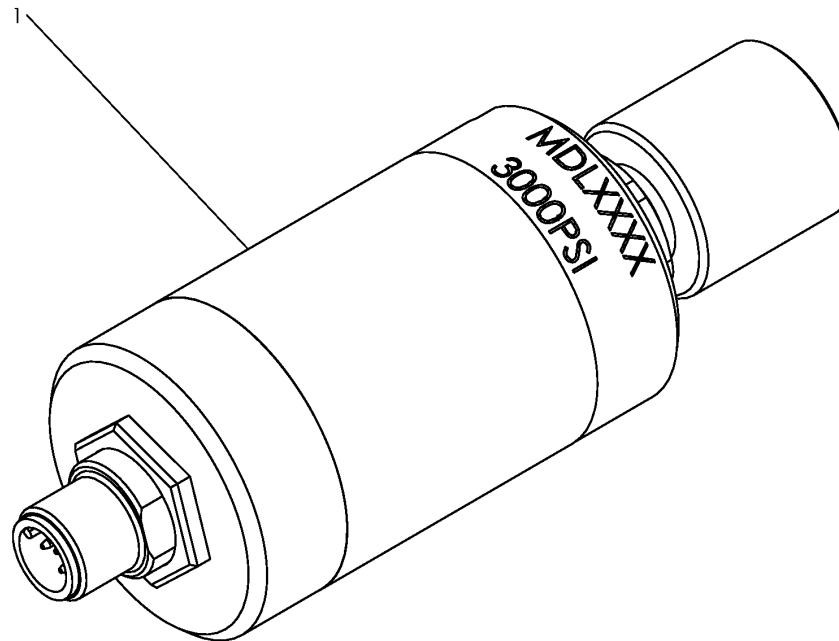
DRAWN: DCG	CHECK: LTD	APPR'VD: FTS	DATE: 9/2/15	SHT No: 1	REV No: B	PART No: DL18201
------------	------------	--------------	--------------	-----------	-----------	------------------

DataLogger® DIGITAL PRESSURE SENDER ASSEMBLY

NOTE: THIS DRAWING AND THE INFORMATION CONTAINED THEREIN IS THE CONFIDENTIAL AND PROPRIETARY PROPERTY OF McElroy Manufacturing, Inc. THE DRAWING IS NOT TO BE REPRODUCED IN ANY MANNER, SUBMITTED TO OUTSIDE PARTIES FOR EXAMINATION, OR USED DIRECTLY OR INDIRECTLY FOR THE PURPOSES OTHER THAN THOSE FOR WHICH IT WAS FURNISHED WITHOUT WRITTEN PERMISSION OF McElroy Manufacturing, Inc.

NOTES:

1. PROGRAM ITEM 1 WITH DataLogger® PRESSURE SENDING FIRMWARE (NOT SHOWN.)
 - A. CONNECT THE PRESSURE SENDER TO THE PC'S SERIAL PORT.
 - B. USE THE FIRMWARE UPDATE AND CALIBRATION PROGRAM TO DOWNLOAD THE SELECTED FIRMWARE.
2. PROGRAM THE PRESSURE SENDER'S SERIAL NUMBER WITH NEXT AVAILABLE NUMBER.
 - A. CONNECT THE PRESSURE SENDER TO THE SENDER TO THE PC'S SERIAL PORT.
 - B. USE THE FIRMWARE UPDATE AND CALIBRATION PROGRAM TO SET THE SERIAL NUMBER.
3. CALIBRATE THE PRESSURE SENDER.
 - A. CONNECT THE PRESSURE SENDER TO THE PC'S SERIAL PORT.
 - B. USING THE CALIBRATION & FIRMWARE UPDATE APPLICATION, FOLLOW THE ON SCREEN INSTRUCTIONS TO CALIBRATE THE PRESSURE SENDER.
4. PRINT THE CALIBRATION SHEET AND PLACE IN PLASTIC BAG ALONG WITH ITEM 1.
5. ETCH SERIAL NUMBER AND PRESSURE RATING ON HOUSE APPROX AS SHOWN, XXXX REPLACED WITH SERIAL NUMBER. LOCATED BETWEEN KNURLING AND END OF CHART.



McElroy Manufacturing Parts List

Part Number: DL18201 DataLogger 6 Digital Pressure Sender Assembly

Part Number DL18201 Component List

Item	Component	Description	Quantity	Unit	Price
1	DL16701	Datalogger Digital Pressure Sender Assembly Less Programing	1.0	EA	0.00
2	DL19101	DL Press Sender Firmware	1.0	EA	0.00

Please visit <https://fusion.mcelroy.com/parts> to purchase parts or for more information.

